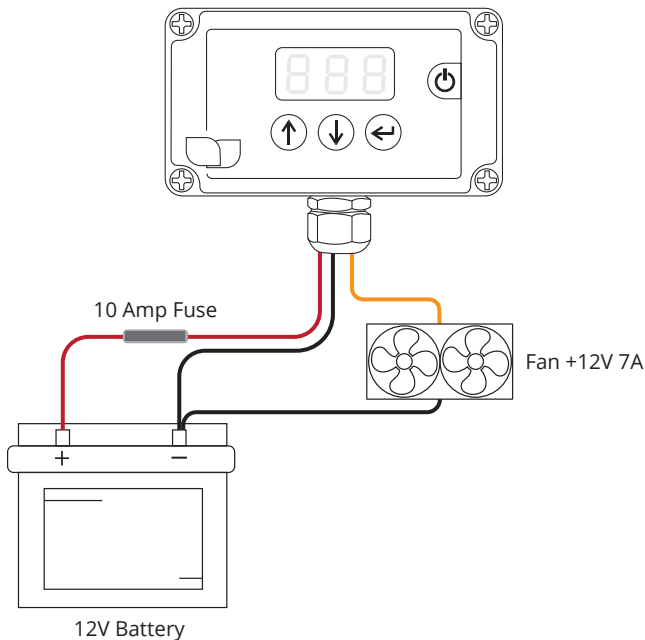




Hot Water Additional Wiring



Connect the pump controller in accordance with this diagram.
NOTE: only fit the fuse once all connections are made.

The fan will operate automatically when the controller detects a low temperature, circulating the warm air from the heater.

DISCLAIMER

THE MANUFACTURER RESERVES THE RIGHT TO MAKE CHANGES TO ANY PRODUCT HEREIN TO IMPROVE RELIABILITY, FUNCTION OR DESIGN. THE MANUFACTURER DOES NOT ASSUME ANY LIABILITY ARISING OUT OF THE APPLICATION OR USE OF ANY PRODUCT OR CIRCUIT DESCRIBED HEREIN.

For more information and videos on how to use Spring controllers please visit: www.springltd.co/videos

Copyright © 2021 Spring (Europe) Ltd. All rights reserved.

European Patent: 3835575