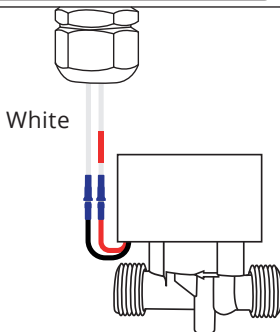
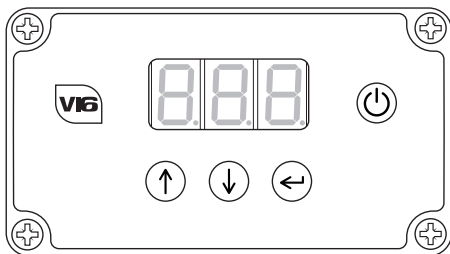




## Flush Additional Wiring



Auto Flush Solenoid Valve

Connect the pump controller in accordance with this diagram.  
NOTE: only fit the fuse once all connections are made.

The controller constantly monitors the dead end detection and low battery protection while in fill mode to protect the system.

Spring solenoid valves come fitted with grey wires and can be fitted either way round.



The Fuse for this unit is a 10A Fuse. Make sure correct fuse is fitted inline, close to the battery end of the RED (positive) wire. Failure to do so will result in damage to the unit.

The next setting is Autoflush. The controller has three Autoflush modes:

OFF	Autoflush is off
1	Whilst filling repeat Autoflush every hour (first flush default 300 seconds (or set by distributor) subsequent flushes 40 seconds).
2	Autoflush just once at the start of every fill (300 seconds (or set by distributor)).



Select the required Autoflush mode with the up or down button. Then press enter to move to the next item.

The next setting is manual flush. This option can only be seen when the system is not filling.

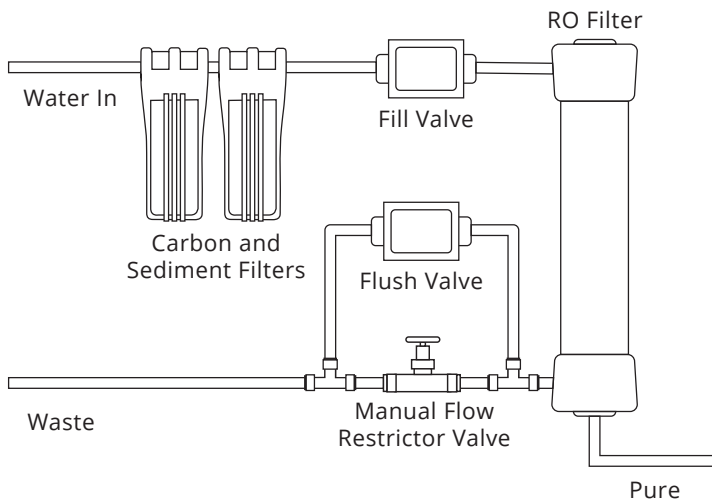


Setting the manual flush to ON will flush the system for a predetermined time (set by distributor). The flushing solenoid valve will open.

Changing this setting to OFF will stop the flush.

Select the required setting with the up or down button. Then press enter to set.





Fit the Autoflush solenoid valve in parallel with the Manual Flow Restrictor Valve, as shown.

#### DISCLAIMER

THE MANUFACTURER RESERVES THE RIGHT TO MAKE CHANGES TO ANY PRODUCT HEREIN TO IMPROVE RELIABILITY, FUNCTION OR DESIGN. THE MANUFACTURER DOES NOT ASSUME ANY LIABILITY ARISING OUT OF THE APPLICATION OR USE OF ANY PRODUCT OR CIRCUIT DESCRIBED HEREIN.

For more information and videos on how to use Spring controllers please visit: [www.springltd.co/videos](http://www.springltd.co/videos)