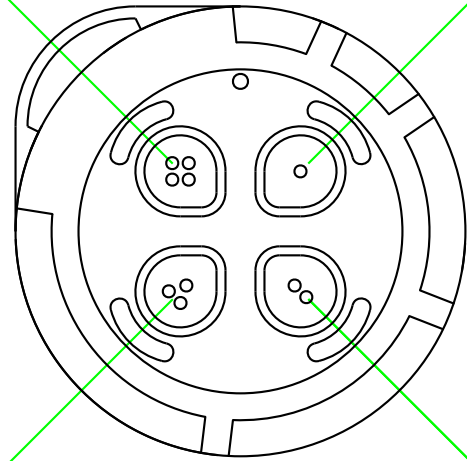


Step 1. Fob Overview

Before you can use your fob it must be paired with its controller. Please see step 3 for details.

Start/Stop

Press once to stop pump. Whole LED segment lights to indicate STP. Controller will show 'StP'. Press once to start pump. One LED lights to indicate pump has started.



Pump Decrease

Each press will reduce pump flow by 10. LED segments indicate this.

Auto-Calibrate

Press and hold until whole LED segment lights. One LED lights to indicate calibration has finished.

Pump Increase

Each press will increase pump flow by 10. LED segments indicate this.

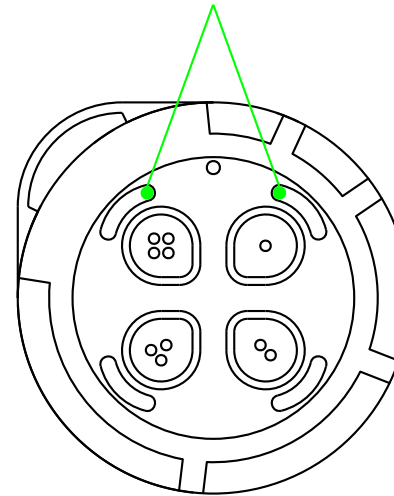
Specification	Value
Supply Voltage*	5 VDC
Enclosure Material	ABS
Water Resistance	IP61
Dimensions	75 x 16mm
Working Temperature	0 to 40 Deg C

* Charge only with micro USB phone chargers or similar micro USB adaptors.

DISCLAIMER
THE MANUFACTURER RESERVES THE RIGHT TO MAKE CHANGES TO ANY PRODUCT HEREIN TO IMPROVE RELIABILITY, FUNCTION OR DESIGN. THE MANUFACTURER DOES NOT ASSUME ANY LIABILITY ARISING OUT OF THE APPLICATION OR USE OF ANY PRODUCT OR CIRCUIT DESCRIBED HEREIN.

Step 2. Fob Charging

Your fob will indicate when it needs charging by lighting two LEDs.

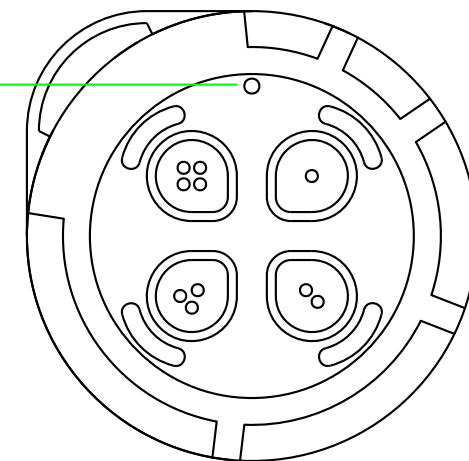


To Charge

Plug in micro USB phone charger or similar to the charging connector. Charging LED is red ● when charging. Charging LED is green ● when charged.



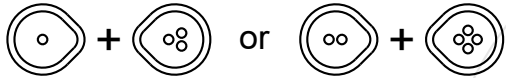
Charging LED



DO NOT IMMERSE FOB IN WATER. Doing so will result in damage to the unit.
DO NOT LEAVE IN DIRECT SUNLIGHT. Doing so will result in damage to the unit.

Step 3. Pairing your fob

To begin using your fob you must first pair it with your controller. Ensure your controller is turned on. Press and hold two opposite buttons on the fob:



If the fob is charged and working, the LED segments will appear to circle around the fob. The controller will respond by displaying 'FOb'.

FOB

Now press ALL three buttons on the controller at the same time.



If the pairing is successful the fob LED segments will stop circling and the 'FOb' will disappear from the controller display. Your fob should now operate the controller as described in 1. Fob Overview.

If the pairing is unsuccessful turn the controller off for 30 seconds then on again and repeat the steps above.

Step 4. Use

Pressing this button reduces the flow setting by 10. The controller will indicate this reduction:

830 ► 820

Step 4. Use Cont'd

Pressing this button increases the flow setting by 10. The controller will indicate this increase:

820 ► 830

Pressing and holding this button will start an auto calibration on your controller. (Ensure flow is set to your desired value e.g. 50). All LEDs on the segment light to show auto calibration has started, the controller will indicate 'AUT'.

AUT

When the controller has calibrated one LED on the segment will light to show this. 'CAL' will disappear from the controller display.

Pressing this button starts and stops the pump. If the pump is running press the button once to stop. All LEDs on the segment will light, the pump will stop and controller indicates 'StP'.

StP

If the pump is stopped press the button once to start. A single LED on the segment will light, the pump will start and controller indicates the current flow. e.g. '30'.

830