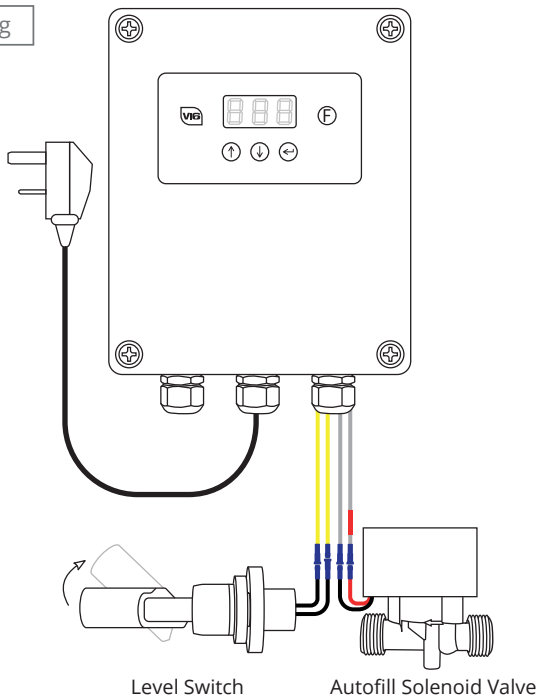


Wiring



Connect the pump controller in accordance with this diagram.

Spring solenoid valves come fitted with grey wires and can be fitted either way round.



ALWAYS DISCONNECT THE MAINS SUPPLY BEFORE OPENING UNIT.

ALWAYS DISCONNECT THE MAINS SUPPLY BEFORE CONNECTING THE PUMP.

DISCLAIMER

Unit must be installed by a competent electrician or electrical engineer. Failure to comply with these instructions could invalidate your warranty.

This V16M BPC unit is supplied already wired. There is no need to disconnect any wires. Follow these instructions carefully and refer to the wiring diagram.

IT IS RECOMMENDED THAT YOUR V16M IS FITTED AGAINST A WALL OR SIMILAR VERTICAL SURFACE.

1. Ensure the V16M is NOT PLUGGED into the MAINS SUPPLY.
2. Remove the top cover by loosening the four corner screws. Using a large pozidrive screw driver continuously turn clockwise.
3. Carefully remove top cover.
4. Screw unit to the wall or vertical surface through the four ready drilled holes in the corners of the back box.
5. Carefully replace the top cover and tighten the four corner screws using the reverse procedure to instruction 2 above.

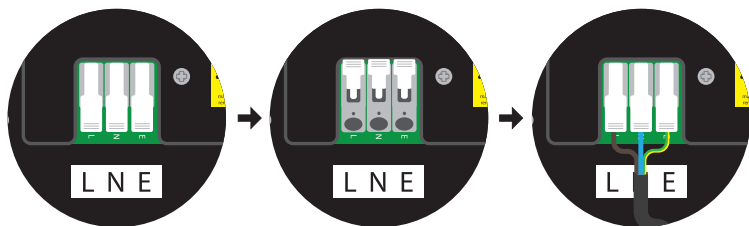
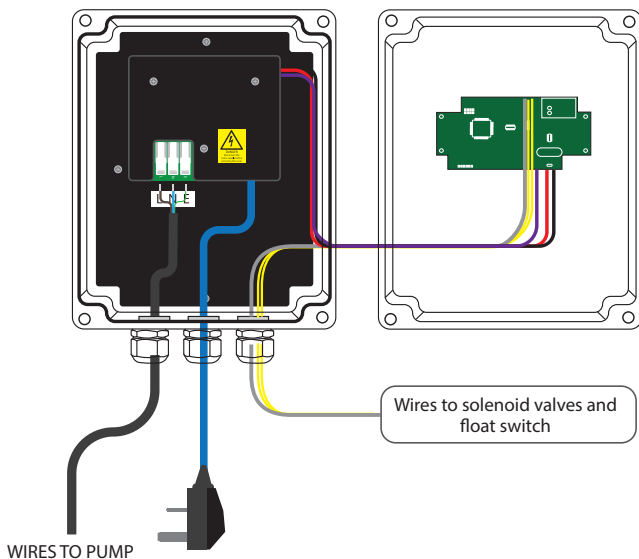
The controller is now ready to use.

Specification	Value
Supply Voltage	100 - 240 VDC
Fuse Rating	5A
Max Switched Load	1000VA
Enclosure Material	ABS
Water Resistance	IP56
Dimensions	201 x 163 x 150 (mm)
Working Temperature	0 to 40 Deg C

DISCLAIMER

THE MANUFACTURER RESERVES THE RIGHT TO MAKE CHANGES TO ANY PRODUCT HEREIN TO IMPROVE RELIABILITY, FUNCTION OR DESIGN. THE MANUFACTURER DOES NOT ASSUME ANY LIABILITY ARISING OUT OF THE APPLICATION OR USE OF ANY PRODUCT OR CIRCUIT DESCRIBED HEREIN.

For more information and videos on how to use Spring controllers please visit: www.springltd.co/videos



1. Insert the pump wires through the left gland
2. Lift the terminal clips until they lock into place. Carefully insert the yellow/green wire into the earth terminal and close the clip. Do the same again for the blue wire into the neutral terminal and lastly the brown wire into the live terminal.
3. Tighten the gland and replace the top cover and tighten the four corner screws.

The unit is powered on as soon as mains supply is connected.

On first power up the controller shows the default display to indicate it has power.

The controller has two filling modes:

1. One time fill (stops when the level switch activates/lifts)
2. Fill on demand (refills every time the level switch drops)

To select the required filling mode press and hold the down and enter buttons. The controller will display F00 (fill on demand).



Press up or down to change between on and off.

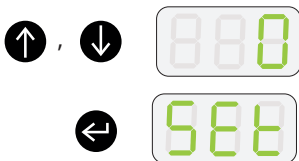
OFF will set the controller to 'one time fill'.

ON will set the controller to 'fill on demand'.

Press enter to set. If F0d is set to ON The next setting is Fill Delay.



Fdy is the time delay in minutes from the tank reaching full and the filling re-starting should the water level drop. This can be set between 0 and 10 minutes using the up or down button. '0' turns the delay off. Press enter to set.



To start a fill when FOD is set to OFF press either the 'F' button or the up and down buttons together.



The controller will display 'FIL'.



To stop the fill press the 'F' button again, or press and hold the up and down buttons together.



The fill will automatically stop when the level switch is activated.

A flush can be performed on the system by:

Pressing and holding the 'F' button. This will last for 30 minutes (or time set by distributor). The controller will display 'FLH' (flush by hand).



ALWAYS ENSURE THE MANUAL FLOW RESTRICTOR VALVE IS OPEN TO AVOID FLOODING.