

Connect the pump controller in accordance with this diagram.
NOTE: only fit the fuse once all connections are made.

The controller constantly monitors the dead end detection and low battery protection while in fill mode to protect the system.

Spring solenoid valves come fitted with grey wires and can be fitted either way round.



The Fuse for this unit is a 30A Fuse. Make sure correct fuse is fitted inline, close to the battery end of the RED (positive) wire. Failure to do so will result in damage to the unit.

The DI Saver will perform a DI Bypass during and after every flush (excluding manual flushes) this will send the high TDS water to waste in order to extend the life of the DI resin.

Ensure that the solenoid valves are set up in accordance with the system diagram.

The Auto Flush settings will determine the DI Saver settings as follows:

OFF	Autoflush is off
1	Whilst filling repeat Autoflush every hour (first flush default 300 seconds + 120 seconds DI Bypass (or set by distributor). Subsequent flushes 40 seconds + 120 seconds DI Bypass)
2	Autoflush just once at the start of every fill (300 seconds + 120 seconds DI Bypass)

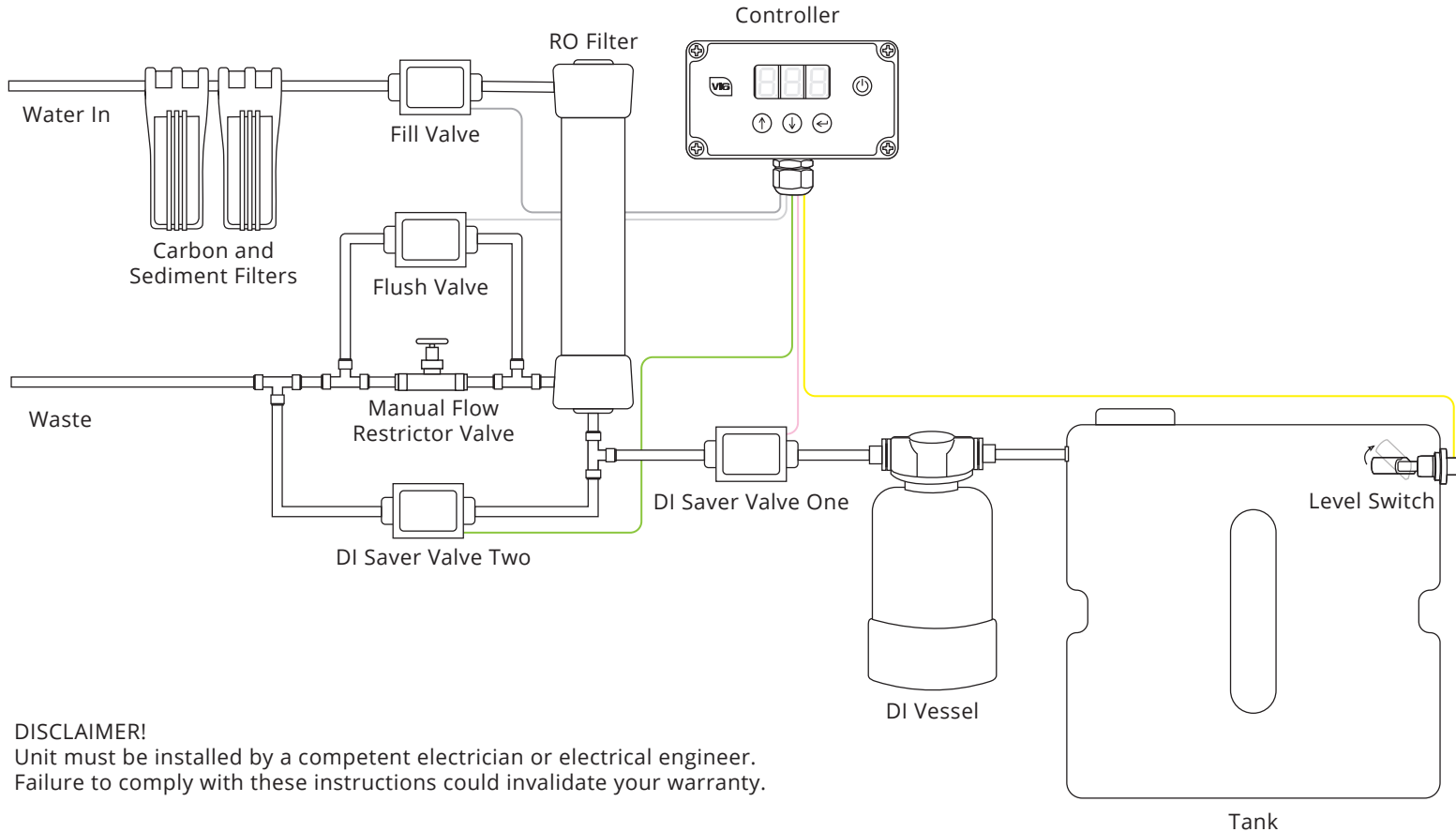
dlb will be displayed during a DI Bypass.



DISCLAIMER

THE MANUFACTURER RESERVES THE RIGHT TO MAKE CHANGES TO ANY PRODUCT HEREIN TO IMPROVE RELIABILITY, FUNCTION OR DESIGN. THE MANUFACTURER DOES NOT ASSUME ANY LIABILITY ARISING OUT OF THE APPLICATION OR USE OF ANY PRODUCT OR CIRCUIT DESCRIBED HEREIN.

For more information and videos on how to use Spring controllers please visit: www.springltd.co/videos

**DISCLAIMER!**

Unit must be installed by a competent electrician or electrical engineer.
Failure to comply with these instructions could invalidate your warranty.