


Step 1. Fitting Instructions



ALWAYS DISCONNECT THE MAINS SUPPLY BEFORE OPENING UNIT.
ALWAYS DISCONNECT THE MAINS SUPPLY BEFORE CONNECTING THE PUMP

This V11M BPC FM unit is supplied already wired. There is no need to disconnect any wires. Follow these instructions carefully and refer to the wiring diagram.

IT IS RECOMMENDED THAT YOUR V11M IS FITTED AGAINST A WALL OR SIMILAR VERTICAL SURFACE.

1. Ensure the V11M is NOT PLUGGED into the MAINS SUPPLY.
2. Remove the top cover by loosening the four corner screws. Using a large pozidrive screw driver continuously turn counter clockwise.
3. Carefully remove the top cover.
4. Screw unit to the wall or vertical surface through the four ready drilled holes in the corners of the back box.
5. Carefully replace the top cover and tighten the four corner screws, using the reverse procedure to instruction 2. above.

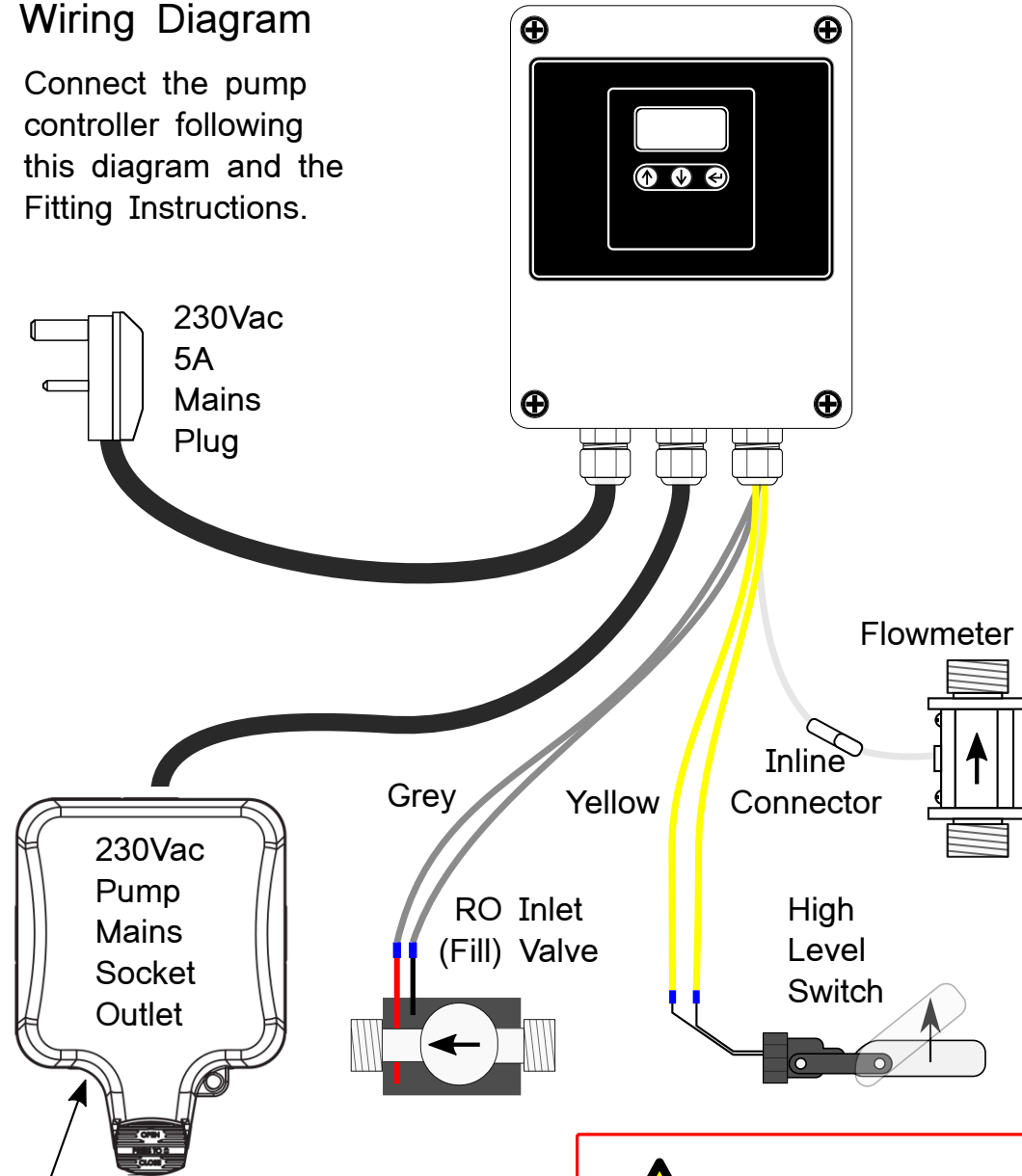
You are now ready to control your pump.

NOTE: Only switch on MAINS SUPPLY to the 230Vac 5A Mains Plug once front cover has been re-fitted.


DISCLAIMER
Unit must be installed by a competent electrician or electrical engineer. Failure to comply with these instructions could invalidate your warranty.

Wiring Diagram

Connect the pump controller following this diagram and the Fitting Instructions.



Connect your 230Vac mains powered pump by plugging in to this socket.

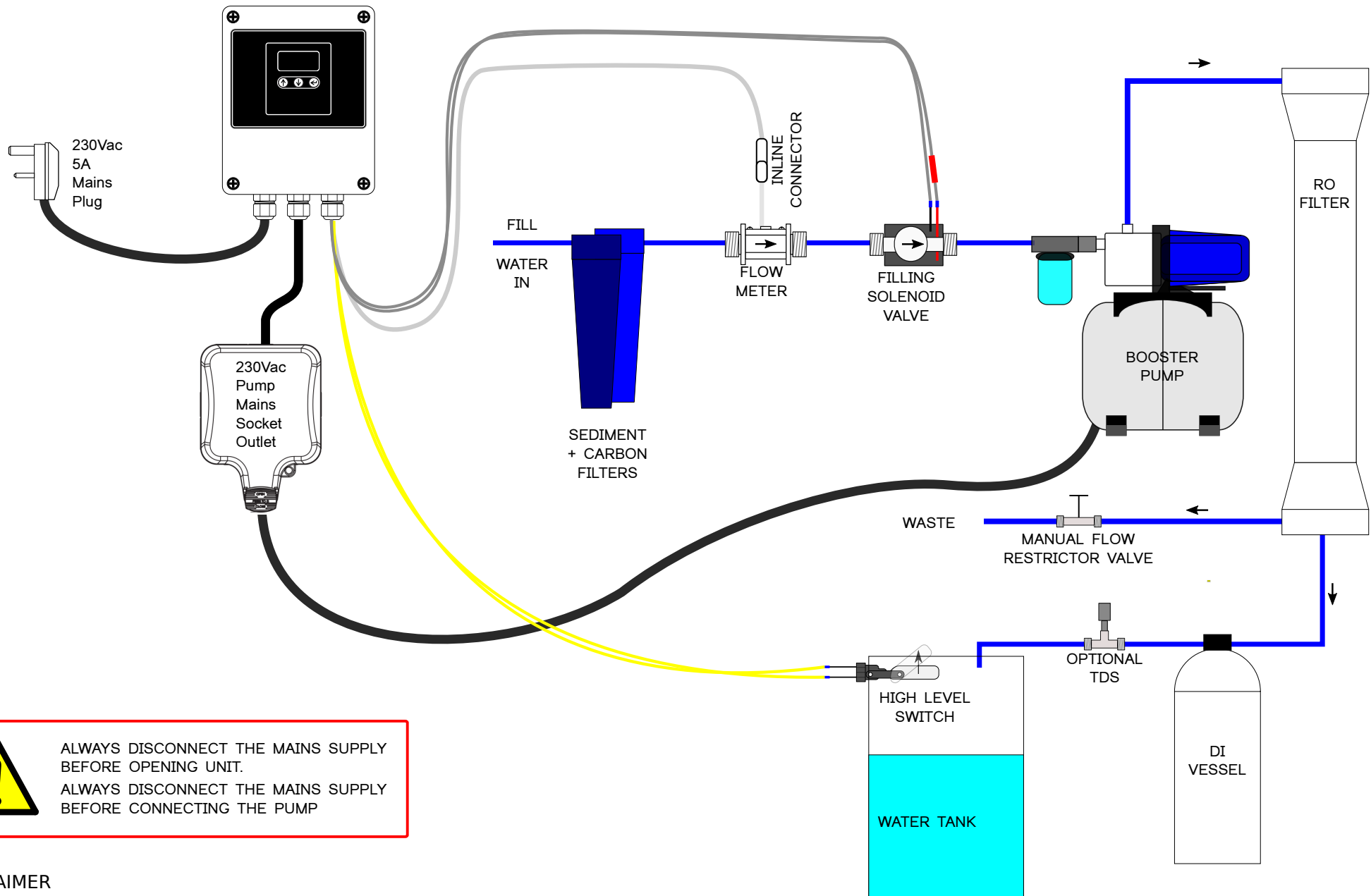


ALWAYS DISCONNECT THE MAINS SUPPLY BEFORE OPENING UNIT.

Step 1. Fitting Instructions

Mains Pump Controller - Quick Start

V11M
BPC FM



ALWAYS DISCONNECT THE MAINS SUPPLY BEFORE OPENING UNIT.
ALWAYS DISCONNECT THE MAINS SUPPLY BEFORE CONNECTING THE PUMP

DISCLAIMER

Unit must be installed by a competent electrician or electrical engineer. Failure to comply with these instructions could invalidate your warranty.

Step 2. Set Up - Power Up and Filling

Connect your pump and liquid system to be controlled.

Turn on the controller by pressing the up or down button. Keep the button held until the display lights up.

On first power up the controller displays the flow rate in litres per min (LPM). It should be zero.

Press up and down to start a fill.

The controller will turn on the filling solenoid valve. After 10 seconds the unit will turn on the mains booster pump connected to the mains socket outlet.

The unit will display the water flowrate (rtE) into the RO, as measured by the flowmeter.

(Note: If the flowmeter detects no flow within 5 seconds of starting a fill the unit will shut down booster pump connected to the mains socket outlet. If there is still no flow after a further 5 seconds the filling solenoid valve is closed and the fill is stopped).

If the mains water supply should fail and no water is flowing the controller will pause the fill by stopping the booster pump, but will keep the filling solenoid valve open.

Step 2. Continued

There is no water flowing, the filling has been paused. If the water starts to flow again the booster pump is turned back on and the boosted filling restarts.

When the tank is full enough to activate the float switch, the controller will display 'FUL' and stop the fill. The booster pump is stopped, the filling solenoid valve is closed.

Message	Description
	The flowmeter rate in litres/minute is being displayed.
	The controller is filling the tank. Booster pump and solenoid filling valve are on.
	The tank is full, the level switch has activated filling has stopped.
	The flowmeter has detected no flow and the unit has stopped the fill to protect the booster pump.
	This message will display if the PSU develops a fault. If voltage drops below 10.5V the unit will shut down the pump.