

Step 1. Fitting Instructions



ALWAYS DISCONNECT THE MAINS SUPPLY BEFORE OPENING UNIT.
ALWAYS DISCONNECT THE MAINS SUPPLY BEFORE CONNECTING THE PUMP

This V11M BPC FM unit is supplied already wired. There is no need to disconnect any wires. Follow these instructions carefully and refer to the wiring diagram.

IT IS RECOMMENDED THAT YOUR V11M IS FITTED AGAINST A WALL OR SIMILAR VERTICAL SURFACE.

1. Ensure the V11M is NOT PLUGGED into the MAINS SUPPLY.
2. Remove the top cover by loosening the four corner screws. Using a large pozidrive screw driver continuously turn counter clockwise.
3. Carefully remove the top cover.
4. Screw unit to the wall or vertical surface through the four ready drilled holes in the corners of the back box.
5. Carefully replace the top cover and tighten the four corner screws, using the reverse procedure to instruction 2. above.

You are now ready to control your pump.

NOTE: Only switch on MAINS SUPPLY to the 230Vac 5A Mains Plug once front cover has been re-fitted.

DISCLAIMER

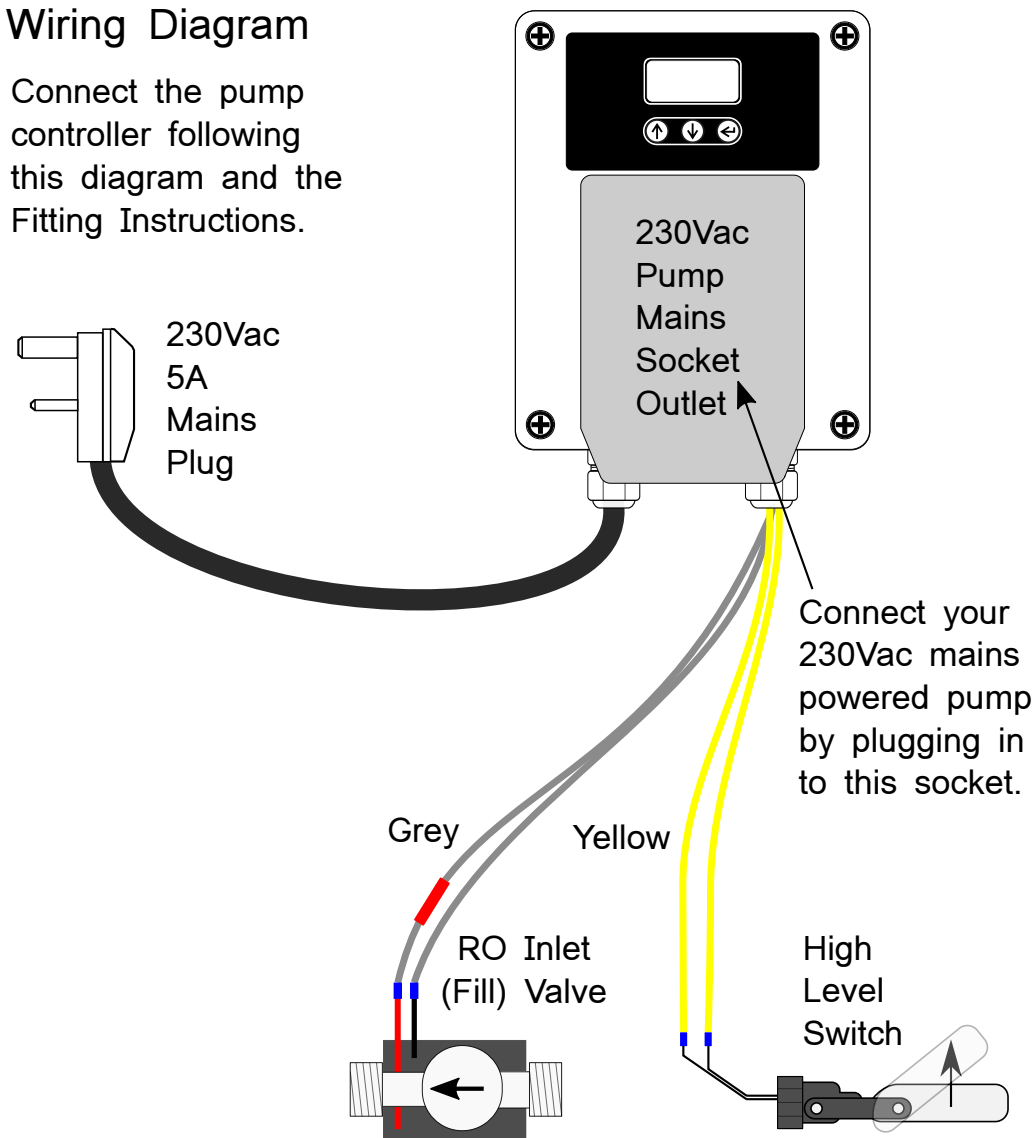
Unit must be installed by a competent electrician or electrical engineer. Failure to comply with these instructions could invalidate your warranty.

Mains Pump Controller - Quick Start

V11M
BPC

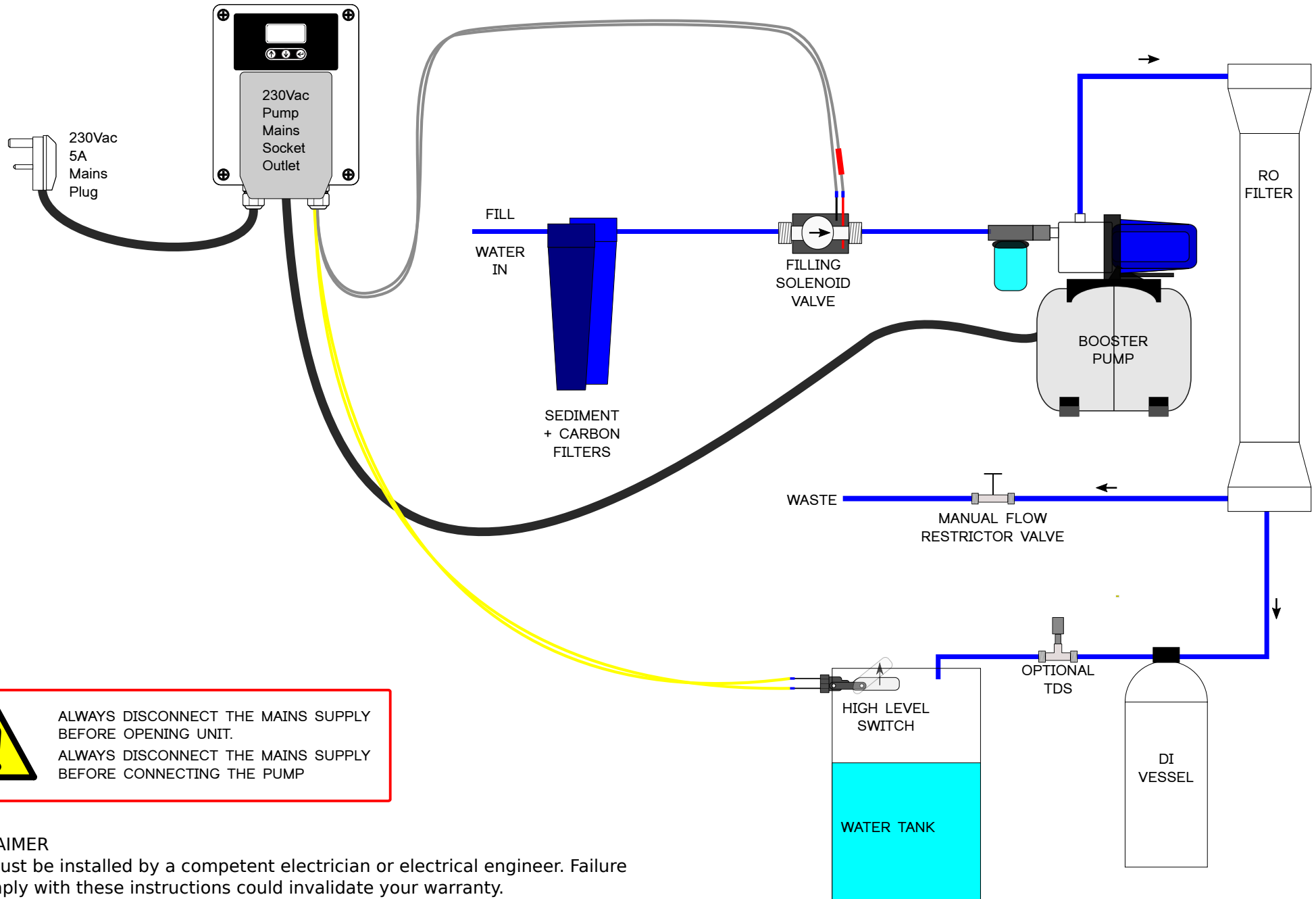
Wiring Diagram


Connect the pump controller following this diagram and the Fitting Instructions.



ALWAYS DISCONNECT THE MAINS SUPPLY BEFORE OPENING UNIT.

Step 1. Fitting Instructions



 ALWAYS DISCONNECT THE MAINS SUPPLY BEFORE OPENING UNIT.
ALWAYS DISCONNECT THE MAINS SUPPLY BEFORE CONNECTING THE PUMP

DISCLAIMER
Unit must be installed by a competent electrician or electrical engineer. Failure to comply with these instructions could invalidate your warranty.

Step 2. Set Up - Power Up and Filling

Connect your pump and liquid system to be controlled.

Turn on the controller by pressing the up or down button. Keep the button held until the display lights up.

On first power up the controller displays the voltage of the PSU in volts. It should be 12V (+/- 0.2V).

8.8.8

If your V11M is configured as a 'Fill on Demand' unit then filling will start automatically as soon as the float switch is in the down (normally closed) position.

8.8.8

If your V11M is configured as a 'One time fill' unit then filling will start when you press and hold the up and down arrows at the same time.

⬆ + ⬇ 8.8.8

The controller will turn on the filling solenoid valve and the mains booster pump connected to the mains socket outlet. This should allow water to fill your tank at a boosted pressure by the mains booster pump.

Step 2. Continued

⬆ + ⬇ 8.8.8

If the unit is a 'One time fill' then pressing the up and down arrows together and holding will stop the fill.

8.8.8

When the tank is full enough to activate the float switch, the controller stop the fill. The booster pump is stopped, the filling solenoid valve is closed. The controller will go back to displaying the PSU voltage.

Message	Description
8.8.8	The controller is filling the tank. Booster pump and solenoid filling valve are on.
8.5.8	This message will display if the PSU develops a fault. If voltage drops below 10.5V the unit will shut down the pump.