



Operating Warnings

Fit your One-Shot Receiver unit carefully. Take care to wire the unit to the diagram and follow these instructions carefully*.

This One-Shot can be used with most makes of pump controller. If used with a Spring controller then the controller will indicate 'PS' (pressure switch activated) when the remote is used to stop the pump. This is normal and to be expected.

Step 2. Operation:

Once installed, simply press the fob button once to activate the pump. The pump will start, the controller will indicate a normal running operation.

To stop the pump press the fob once to de-activate the pump. Spring units will indicate 'PS' and the pump will stop.

Specification	Value
Supply Voltage	11 - 14 VDC
Maximum Load Current	10A
Typical Load Current	4-5A
Enclosure Material	ABS
Water Resistance	IP65 (receiver only)
Dimensions	52 x 52 x 36(mm)
Working Temperature	0 to 40 Deg C
Battery (Fob only)	3V coin cell
One-Shot Standalone - Range	+60m (approx**)

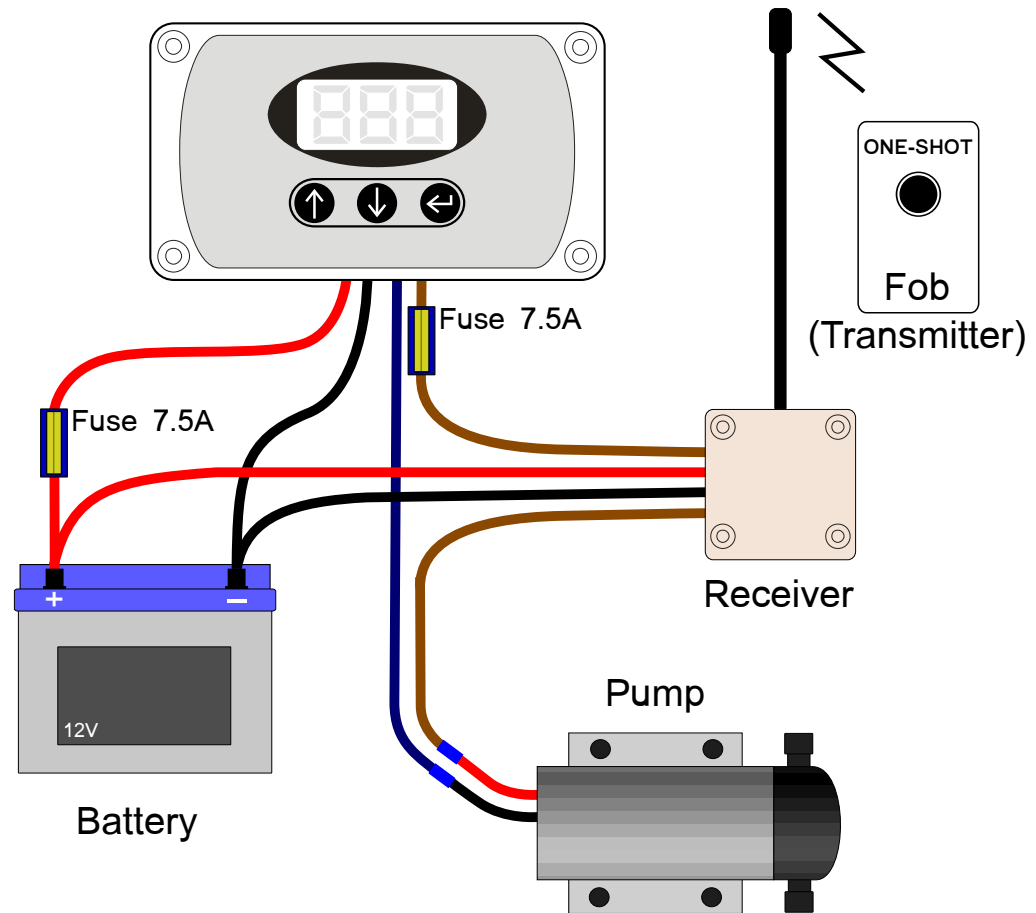
* Unit must be installed by a competent electrician or electrical engineer. Failure to comply with these instructions could invalidate your warranty.

** All range distances are line of site and approximate. Working distances may vary depending on obstacles, environmental conditions and individual installation.

DISCLAIMER
THE MANUFACTURER RESERVES THE RIGHT TO MAKE CHANGES TO ANY PRODUCT HEREIN TO IMPROVE RELIABILITY, FUNCTION OR DESIGN. THE MANUFACTURER DOES NOT ASSUME ANY LIABILITY ARISING OUT OF THE APPLICATION OR USE OF ANY PRODUCT OR CIRCUIT DESCRIBED HEREIN.

Step 1. Wiring

Connect the pump controller following this diagram.
NOTE only fit the fuse once all connections are made.



Make sure correct fuse is fitted inline. Failure to do so will result in damage to the unit.

Observe correct battery polarity. Failure to do so will result in damage to the unit.